

# Green Technology Creates Golden Future

## PV-Module

10 years professional brand, 10 years quality pursue  
10 years professional photovoltaic products manufacturer

## 6P series

## Polysilicon Module



**MY6P60-280**

**MY6P60-275**

**MY6P60-270**

**MY6P60-265**

**MY6P60-260**

### KEY FEATURES



#### 5/6/9 Busbar Solar Cell

5/6/9 busbar solar cell adopts new technology to improve the efficiency of modules, offers a better aesthetic appearance, making it perfect for rooftop installation.



#### High Efficiency

Higher module conversion efficiency (up to 17.21%) benefit from Passivated Emitter Rear Contact (PERC) technology.



#### PID Resistance

Excellent Anti-PID performance guarantee limited power degradation for mass production.



#### Low-light Performance

Advanced glass and cell surface textured design ensure excellent performance in low-light environment.



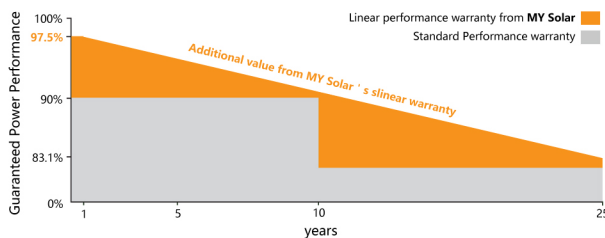
#### Severe Weather Resilience

Certified to withstand: wind load (2400 Pascal) and snow load (5400 Pascal).



#### Durability Against Extreme Environmental Conditions

Resistance to high salt mist and ammonia.



- 25 25-year performance warranty
- 10 10-year warranty on materials and workmanship

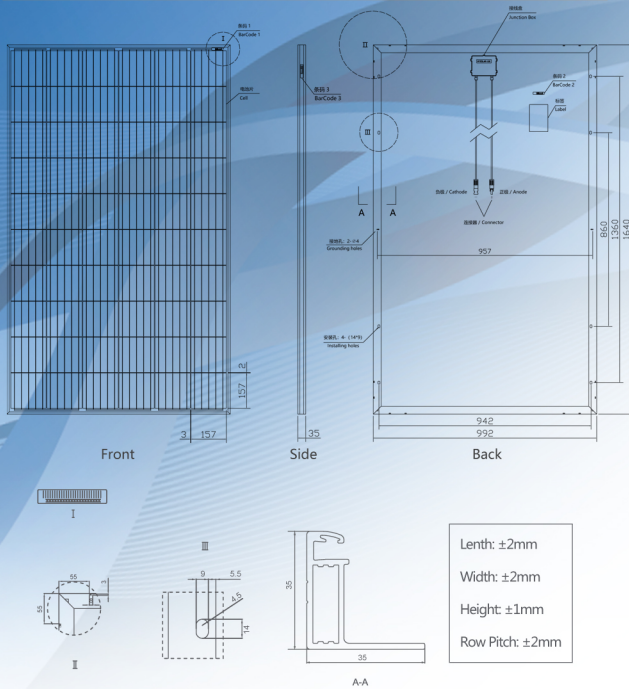
Product quality standards with reference to



[www.mypvtech.com](http://www.mypvtech.com)

M/MY-PD-CH-ENG2020610

## Engineering Drawings



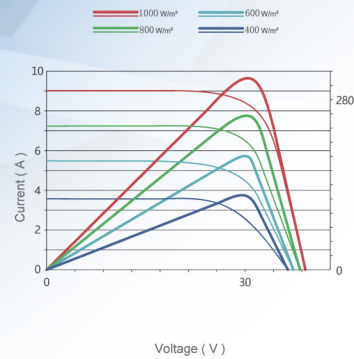
## Packaging Configuration

(Two pallets=One stack)

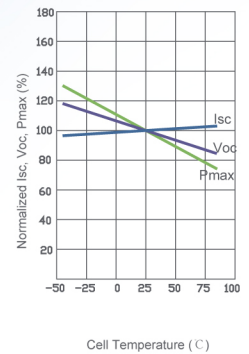
360pcs/20'GP , 840pcs/40'GP , 924pcs/40'HQ

## Electrical Performance & Temperature Dependence

Current-Voltage & Power-Voltage Curves(280W)



Temperature Dependence of Isc, Voc, Pmax



## Mechanical Characteristics

Cell Type	Poly 157x157mm
No. of cells	60(6x10)
Dimensions	1640x992x35mm(64.57x39.06x1.38 inch)
Weight	18.5kg(40.79lbs)
Front Glass	3.2mm , Anti-Reflection Coating , High Transmission , Low Iron , Tempered Glass
Frame	Anodized Aluminium Alloy
Junction Box	IP67 Rated
Output Cables	TUV 1x4.0mm <sup>2</sup> , Length 900mm or Customized Length

## SPECIFICATIONS

Module Type	MY6P60-280		MY6P60-275		MY6P60-270		MY6P60-265		MY6P60-260	
	STC	NOCT	STC	NOCT	STC	NOCT	STC	NOCT	STC	NOCT
Maximum Power(Pmax)	280	207.4	275	203.7	270	200	265	197.4	260	193.8
Maximum Power Voltage(Vmp)	31.70	29.40	31.30	29.00	31.00	28.80	31.80	30.11	31.40	19.73
Maximum Power Current(Imp)	8.83	7.05	8.79	7.01	8.71	6.95	8.33	6.56	8.28	6.52
Open-circuit Voltage(Voc)	38.70	35.90	38.20	35.50	37.80	35.10	37.72	35.73	37.25	35.28
Short-circuit Current(Isc)	9.34	7.59	9.29	7.55	9.21	7.48	8.83	7.12	8.77	7.07
Module Efficiency STC(%)	17.21%		16.90%		16.60%		19.92%		15.73%	
Operating Temperature(°C)	-40°C~+85°C									
Maximum System Voltage	1000VDC(IEC)									
Maximum Series Fuse Rating	20A									
Power Tolerance	0~+5Wp									
Temperature Coefficients of Pmax	-0.37%/°C									
Temperature Coefficients of Voc	-0.29%/°C									
Temperature Coefficients of Isc	-0.048%/°C									
Nominal Operating Cell Temperature(NOCT)	45±2°C									

STC: ☀ Irradiance 1000W/m<sup>2</sup>

🔌 Cell Temperature 25°C

☁ AM=1.5

NOCT: ☀ Irradiance 800W/m<sup>2</sup>

🔌 Ambient Temperature 20°C

☁ AM=1.5

🌀 Wind Speed 1m/s

\* Power measurement tolerance: ± 3%

## MY SOLAR TECHNOLOGY CO.,LTD.

Add : No18,Yanxing Road,Yanqiao,Huishan Economic Development District,Wuxi

Tel : +86 510 8299 1188

Fax : +86 510 8299 1688

E-mail : info@mypvtech.com



www.mypvtech.com

M/MY-PD-CH-ENG2020610