

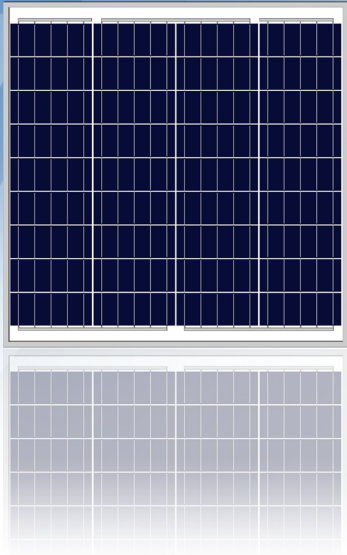
Green Technology Creates Golden Future

PV-Module

10 years professional brand, 10 years quality pursue
10 years professional photovoltaic products manufacturer

6P series Polysilicon Module

MY6P36-60



KEY FEATURES



5/6/9 Busbar Solar Cell

5/6/9 busbar solar cell adopts new technology to improve the efficiency of modules, offers a better aesthetic appearance, making it perfect for rooftop installation.



High Efficiency

Higher module conversion efficiency (up to 13.8%) benefit from Passivated Emitter Rear Contact (PERC) technology.



PID Resistance

Excellent Anti-PID performance guarantee limited power degradation for mass production.



Low-light Performance

Advanced glass and cell surface textured design ensure excellent performance in low-light environment.



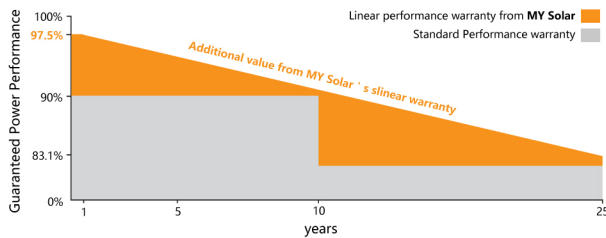
Severe Weather Resilience

Certified to withstand: wind load (2400 Pascal) and snow load (5400 Pascal).



Durability Against Extreme Environmental Conditions

Resistance to high salt mist and ammonia.

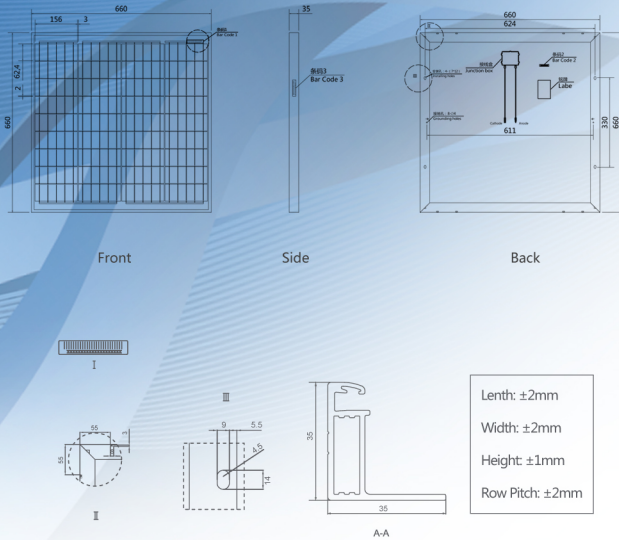


- 25 25-year performance warranty
- 10 10-year warranty on materials and workmanship

Product quality standards with reference to

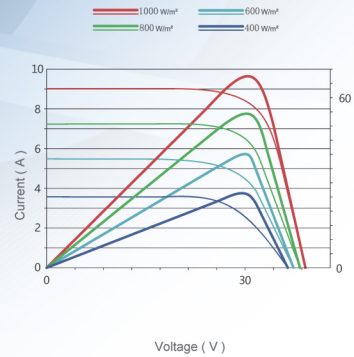


Engineering Drawings

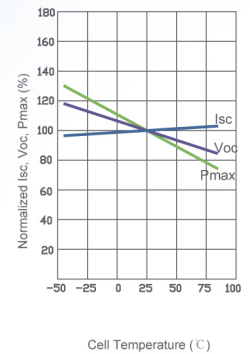


Electrical Performance & Temperature Dependence

Current-Voltage & Power-Voltage Curves(60W)



Temperature Dependence of Isc, Voc, Pmax



Mechanical Characteristics

Cell Type	Poly 156x62.4mm
No. of cells	36(4x9)
Dimensions	660x660x35mm(25.9x25.9x1.38 inch)
Weight	5.0kg(11.02lbs)
Front Glass	3.2mm , Anti-Reflection Coating , High Transmission , Low Iron , Tempered Glass
Frame	Anodized Aluminium Alloy
Junction Box	IP65/IP67 Rated
Output Cables	TUV 1x4.0mm ² , Length 1200mm or Customized Length

SPECIFICATIONS

Module Type	MY6P36-60W
	STC
Maximum Power(Pmax)	60W
Maximum Power Voltage(Vmp)	18.0V
Maximum Power Current(Impp)	3.33A
Open-circuit Voltage(Voc)	21.6V
Short-circuit Current(Isc)	3.52A
Module Efficiency STC(%)	13.8%
Operating Temperature(°C)	-40°C~+80°C
Maximum System Voltage	1000VDC(IEC)
Maximum Series Fuse Rating	15A
Power Tolerance	0~+5Wp
Temperature Coefficients of Pmax	-0.37%/°C
Temperature Coefficients of Voc	-0.29%/°C
Temperature Coefficients of Isc	-0.048%/°C
Nominal Operating Cell Temperature(NOCT)	45±2°C

STC: ☀ Irradiance 1000W/m² 📱 Cell Temperature 25°C ☁ AM=1.5
NOCT: ☀ Irradiance 800W/m² 📱 Ambient Temperature 20°C ☁ AM=1.5 🌀 Wind Speed 1m/s

* Power measurement tolerance: ± 3%

MY SOLAR TECHNOLOGY CO.,LTD.

Add : No18, Yanxing Road, Yanqiao, Huishan Economic Development District, Wuxi
 Tel : +86 510 8299 1188
 Fax : +86 510 8299 1688
 E-mail : info@mypvtech.com